

CARBON MONOXIDE ALARM

CAT. **CO250B/CO250LB**



**10YR CO SENSOR
10YR ALARM LIFE**

ELECTROCHEMICAL CO SENSOR

Most accurate technology available for detecting carbon monoxide as compared to other sensing technologies

TWO SILENCE FEATURES

Silences low battery chirp for up to eight hours or silence nuisance alarm for several minutes.

END OF LIFE SIGNAL

Provides audible notice when alarm needs to be replaced after 10 years.

TAMPER RESISTANT LOCKING PIN

Locks alarm cover to prevent removal of battery. Perfect for apartment, dormitory or hotel applications.

9V BATTERY INCLUDED

Available in the following versions:

CO250B Alkaline Battery
CO250LB 5 Year Lithium Battery



BRK®

THE PROFESSIONAL STANDARD

9V Battery Powered

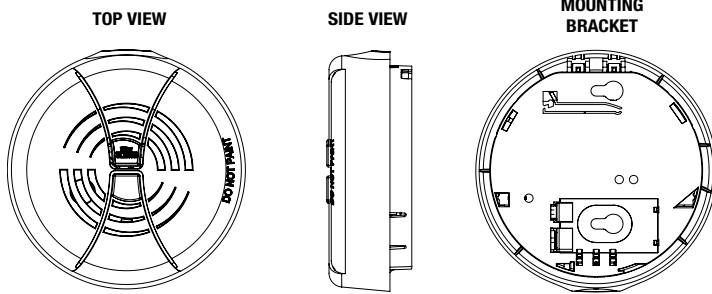
Description:

BRK Model CO250 is a single station carbon monoxide alarm specifically designed for residential and institutional applications including sleeping rooms of hospitals, hotels, motels, dormitories, and other multifamily dwellings as defined in standard NFPA 101. Model CO250 has been fully tested and complies with, UL2034, NFPA 720, and NFPA 101 and other agencies that model their codes after the above agencies. It meets building codes where battery operated carbon monoxide alarms with silence are required.

BRK Model CO250 is a state of the art carbon monoxide alarm designed to provide early warning of the presence of carbon monoxide. It features an electrochemical carbon monoxide sensor, an 85dB horn, a full function test switch and a red LED light that indicates DC power or alarm. The CO250B features a 9V alkaline battery and the CO250LB a 9V 5 year lithium battery. This alarm has two silence features. Low Battery Silence: Temporarily silence the low battery chirp for up to eight hours. Alarm Silence: Silence alarm for several minutes. It also features a tamper resistant locking pin that locks alarm cover to prevent removal of battery. Perfect for apartment, dormitory or hotel applications. The compact, low profile design complements any décor. Battery installation and removal can occur while the unit is mounted to the ceiling or wall via the hinged cover. When voltage drops to a pre-set warning level, the horn will "chirp" approximately once per minute to indicate a fresh battery is needed. To insure the battery is always replaced properly, the cover is designed to resist closing when the battery is missing. Designed for wall or ceiling mounting. Includes mounting anchors and screws.



CAT. C0250B / C0250LB



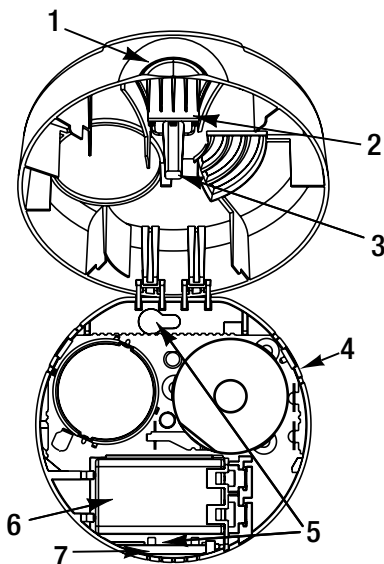
ARCHITECTURAL AND ENGINEERING SPEC

The carbon monoxide alarm shall be a BRK Model C0250 and shall provide at a minimum the following features and functions:

1. An electrochemical CO sensor.
2. The unit shall be capable of self restoring.
3. The unit shall have an "End of Life" signal after 10 years (120 months) of operation. This signal should be capable of temporarily being silenced for up to 2 days. After about 2 days, the signal will resume. After about 2-3 weeks the signal cannot be silenced.
4. Powered by a supervised 9V battery and a solid state piezo horn rated at 85dB at 10 ft.
5. A visual LED power-on indicator to confirm unit is receiving power or is in alarm.
6. A test/silence button to check all alarm functions and to silence any nuisance alarms. In addition, the unit shall have a low battery silence feature to quiet the low battery chirp for up to eight hours.
7. A tamper resistant locking pin should be provided that locks alarm cover to prevent removal of battery.
8. The CO sensor is adjusted not to detect CO levels below 30 PPM and will not alarm when exposed to constant levels of 30 PPM for 30 days. It will alarm at the following levels: 400 PPM CO between 4 and 15 minutes, 150 PPM CO between 10 and 50 minutes and 70 PPM CO between 60 and 240 minutes.
9. The unit shall be capable of operating between 40°F (4°C) and 100°F (38°C) and relative humidity between 10% and 95%.
10. The unit shall contain mounting hardware and shall be listed for wall or ceiling mounting.
11. The unit shall at a minimum meet the requirements of UL2034, NFPA 720, NFPA 101, ICC.

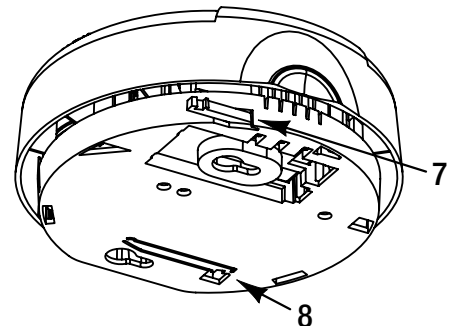
INSTALLATION OF ALARM

Installation of this CO alarm must conform to NFPA 720. Always check your local building codes. Follow all instructions for placement as outlined in the user's manual in sections titled "Recommended Locations for CO Alarms" and "Locations to Avoid for CO Alarms".



THE PARTS OF THIS CO ALARM

1. "Open Here"
2. "No Battery" tab
3. Test/Silence button tab
4. CO alarm base
5. Standard screw mounting slots
6. Install 9V battery here
7. Locking pin slot
8. Locking pin: Remove and insert in 7



TECHNICAL SPECS

Alarm Dimensions:	1.6"H x 4.25"Dia
Weight:	5.1 oz
Operating Voltage:	9V Battery Powered
Temperature Range:	40°F (4°C) to 100°F (38°C)
Humidity Range:	10% to 95% relative humidity (RH)
Audio Alarm:	85dB at 10 feet
Test/Silence:	Electronically simulates carbon monoxide condition, causing the unit to alarm. Press and hold test/silence button
Alarm Reset:	Automatic when CO clears
CO Sensor:	Electrochemical
Indicator Lights/Sounds:	
DC Power:	Intermittent Red LED
Local Alarm:	Audio alarm and rapidly flashing Red LED
End of Life:	Replace alarm 120 months after installation
Listing:	Listed to UL2034 Standard

SHIPPING SPECS

Individual Carton Dimensions	4.38 "L x 1.75"W x 4.38"H
Weight	0.39 lbs.
Cube	0.02 ft3
UPC	0 29054 00392 8: C0250B 0 29054 00725 4: C0250LB
Master Carton Dimensions	12.63"L x 6.13"W x 5.19"H
Master Pack	6
Weight	3.2 lbs.
Cube:	0.15 ft3
I2of5:	600 29054 00392 0: C0250B 600 29054 00725 6: C0250LB
Pallet Information	
Cases per Layer	36
Number of Layers:	9
Cases per Pallet:	324
Units per Pallet:	1,944
Cube:	55.0 ft3
Weight:	1,107 lbs.



©2015 BRK Brands, Inc. a Jarden Corporation
Company (NYSE: JAH)
3901 Liberty Street Road
Aurora, IL 60504-8122
All rights reserved

First Alert is a registered trademark of the First Alert Trust
BRK is a registered trademark of BRK Brands, Inc.
CM3171